



**Chicago  
Pneumatic**

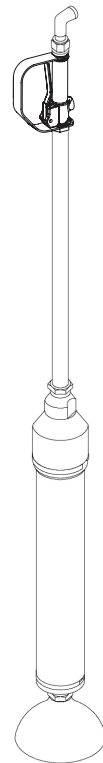
# **Spare parts list**

## **Pneumatic tampers**

### **CP 0004**

Valid from serial number
--------------------------

MHN133543
-----------



## General information

This spare parts list applies to the following:

Part number	Description
Z0021451	CP 0004

Use only authorized parts. Any damage or malfunction caused by the use of unauthorized parts is not covered by Warranty or Product Liability. Any unauthorized use or copying of the contents or any part thereof is prohibited. This applies in particular to trademarks, model denominations, part numbers, and drawings.

### Instructions for use

This spare parts list contains no safety regulations and is merely intended to assist in the ordering of spare parts.

For information about operating, servicing, or repairing, the relevant Safety and operating instructions must be consulted at all costs.

Please observe the safety instructions listed in the relevant Safety and operating instructions!

Contents

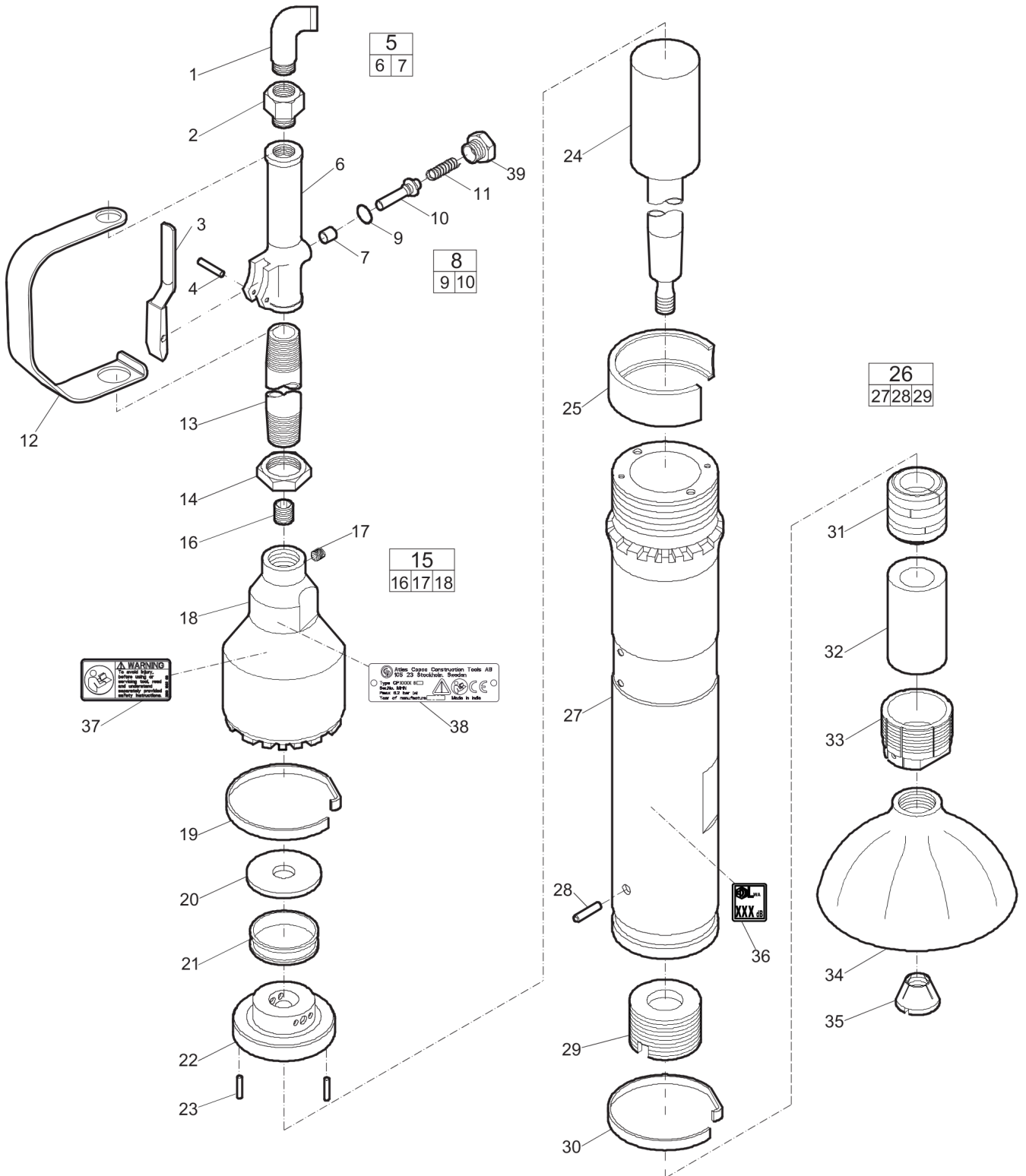
**Spare parts list**

Tamper ..... 1

**Accessories**

Butts ..... 4  
Hose rolls ..... 7  
Pre-mounted universal hoses with claw couplings ..... 9  
Water separator ..... 11  
Lubricator ..... 13  
CP airolene plus tool oil ..... 15

**Spare parts list** Tamper



Refer to Parts Online for the most up to date information. The printed information might be outdated.

Thu Oct 08 07:10:20 MDT 2015

Item	Part No.	Name	Qty	L
1	R072457	90°elbow - 1/2 in.	1	
2	3303005220	Strainer - Air	1	
3	P001903	Lever - Valve	1	
4	P001921	Pin - lever	1	
5	P007350	Body - Throttle valve, complete	1	
6	-	Body - Throttle valve	1	
7	P001814	Throttle valve bushing	1	
8	P087671	Valve - Throttle, complete	1	
9	CA088867	O-ring	1	
10	-	Valve - Throttle	1	
11	P001858	Spring	1	
12	3303005419	Guard	1	
13	P071147	Pipe - Extension	1	
14	F003087	Locknut - Pipe	2	
15	P079695	Cylinder head, complete	1	
16	P084132	Plug - Oil regulating	1	
17	C068799	Plug - pipe, Ø 1/4 in., Ø 6.5 mm	1	
18	-	Cylinder head	1	
19	P084464	Clip - Cylinder head lock	1	
20	P009667	Lid - Valve	1	
21	P009665	Valve	1	
22	P009666	Block - Valve	1	
23	A043627	Pin - lever	2	
24	P089043	Piston with threaded end	1	
25	P009674	Clip - Exhaust	1	
26	P084463	Cylinder bushing, complete	1	
27	-	Cylinder	1	
28	S001157	Pin - Cylinder bushing	1	
29	P074473	Bushing - Cylinder	1	
30	P084466	Clip - Lock nut	1	
31	P089320	Packing - Piston	1	
32	P009678	Sleeve - Piston gland	1	
33	P084465	Nut - Piston gland	1	
34	P089050	Butt, Aluminum. Ø158.80 mm, Ø61/4 in	1	
35	P089045	Lock nut - Butt	1	
36	-	Sound power la	1	
37	3310160200	Safety label "Read instructions"	1	

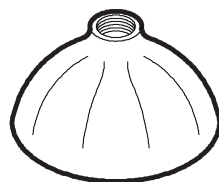
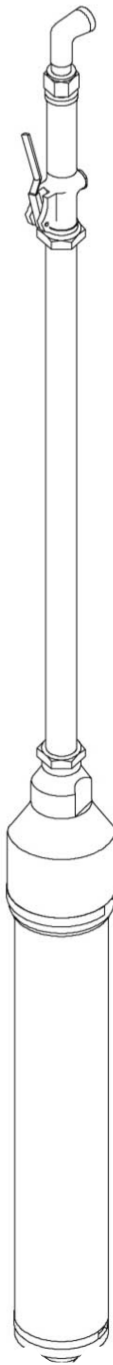
Refer to Parts Online for the most up to date information. The printed information might be outdated.

Thu Oct 08 07:10:20 MDT 2015

Item	Part No.	Name	Qty	L
38	-	Sound power la	1	
39	P001964	Cap valve screw	1	

This page intentionally left blank

**Accessories** Butts

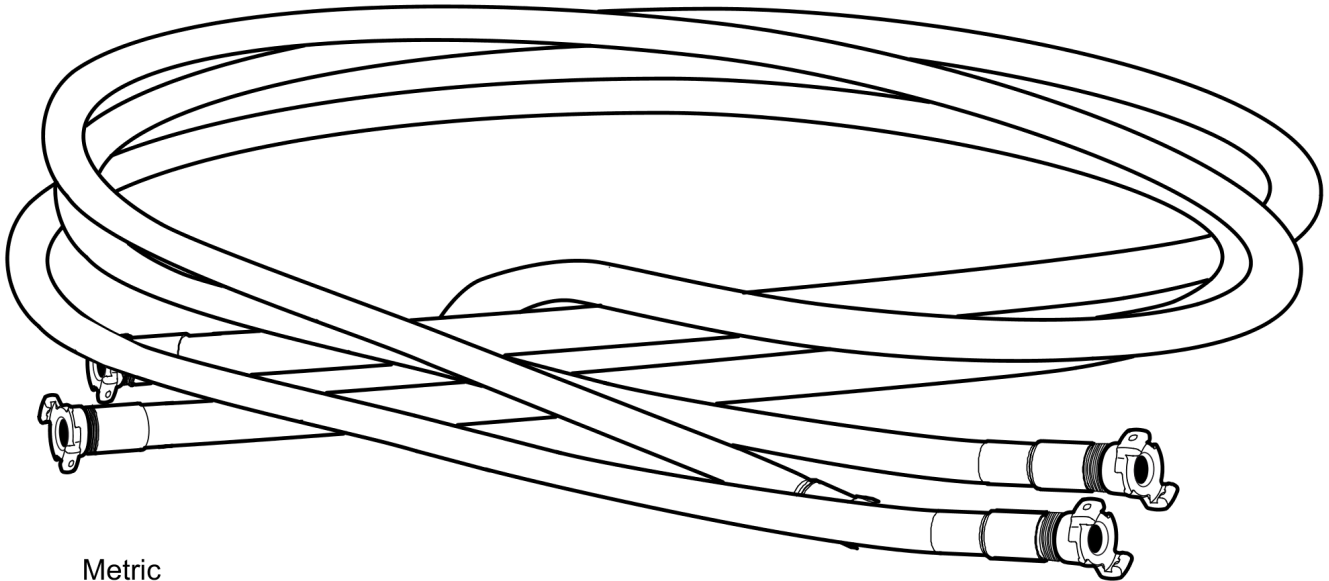


Refer to Parts Online for the most up to date information. The printed information might be outdated.

Thu Oct 08 07:10:21 MDT 2015



Item	Part No.	Name	Qty	L
-	3303005081	Butt(cast iron)Ø146 mm 5.75 in.	1	
-	3303005083	Butt, concave(cast iron)	1	
-	P138879	Butt(aluminum) Ø63.5 mm 2.5 in.	1	

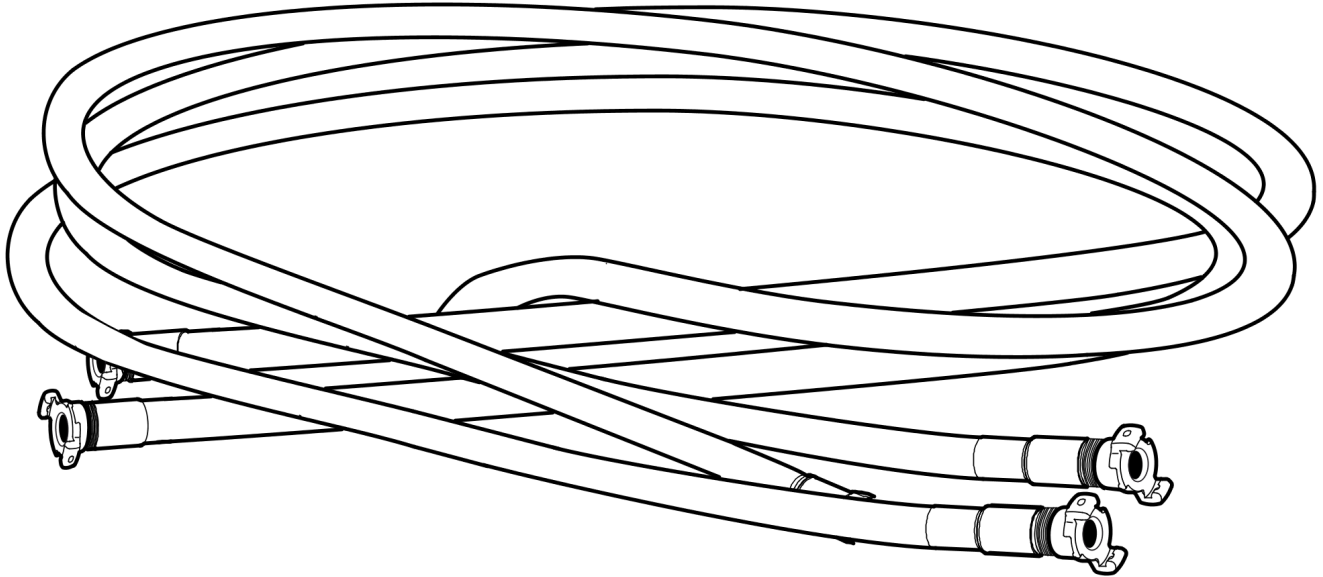
**Accessories** Hose rolls**Metric**

Inner diameter (mm)	Thickness (mm)	Maximum working pressure (bar)	Length of roll (m)	Weight (kg)	Part number
19	2.0	20	60	11	8900 0050 10
19	2.0	20	100	18	8900 0050 11
19	2.0	20	200	36	8900 0050 12
25	2.5	20	60	15	8900 0050 20
25	2.5	20	100	25	8900 0050 21
25	2.5	20	200	50	8900 0050 22

**Imperial**

Inner diameter (in.)	Thickness (in.)	Maximum working pressure (psi)	Length of roll (ft)	Weight (lb)	Part number
$\frac{3}{4}$	$\frac{5}{64}$	290	195	24.3	8900 0050 10
$\frac{3}{4}$	$\frac{5}{64}$	290	325	39.7	8900 0050 11
$\frac{3}{4}$	$\frac{5}{64}$	290	650	79.4	8900 0050 12
1	$\frac{3}{32}$	290	195	33.1	8900 0050 20
1	$\frac{3}{32}$	290	325	55.1	8900 0050 21
1	$\frac{3}{32}$	290	650	110.2	8900 0050 22

Item	Part No.	Name	Qty	L
-	8900005010	Red-X hose roll	1	
-	8900005011	Red-X hose roll	1	
-	8900005012	Red-X hose roll	1	
-	8900005020	Red-X hose roll	1	
-	8900005021	Red-X hose roll	1	
-	8900005022	Red-X hose roll	1	

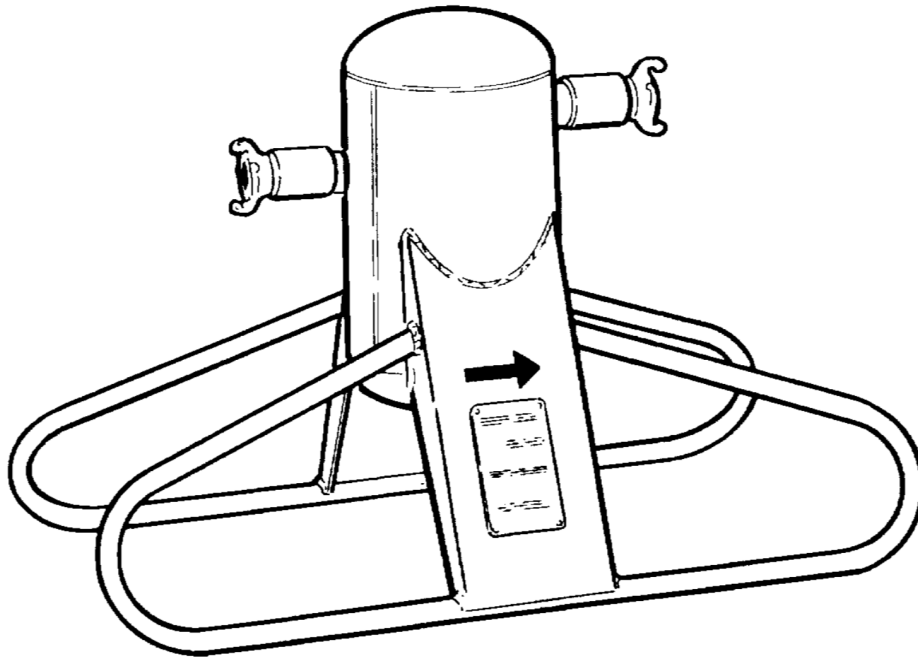
**Accessories** Pre-mounted universal hoses with claw couplings**Metric**

Inner diameter (mm)	Thickness (mm)	Maximum working pressure (bar)	Length of roll (m)	Weight (kg)	Part number
19	2.0	20	20	4.5	8900 0050 09
25	2.5	20	20	6.0	8900 0050 23

**Imperial**

Inner diameter (in.)	Thickness (in.)	Maximum working pressure (psi)	Length of roll (ft)	Weight (lb)	Part number
$\frac{3}{4}$	$\frac{5}{64}$	290	50	8.8	8900 0050 08
1	$\frac{3}{32}$	290	50	11.0	8900 0050 24

Item	Part No.	Name	Qty	L
-	8900005009	Red-X universal hose	1	
-	8900005023	Red-X universal hose	1	
-	8900005008	Red-X universal hose	1	
-	8900005024	Red-X universal hose	1	

**Accessories** Water separator

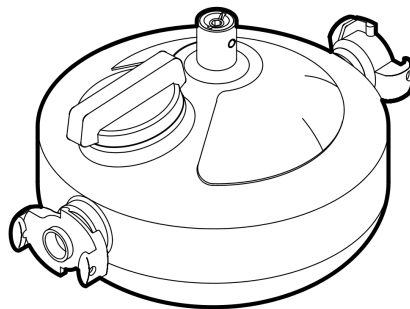
## Metric

Hose connection (mm)	Air flow (l/s)	Weight (kg)	Part number
20	61	0.8	8900 0050 00

## Imperial

Hose connection (in.)	Air flow (foot <sup>3</sup> /min)	Weight (lb)	Part number
$\frac{3}{4}$	130	1.8	8900 0050 01

Item	Part No.	Name	Qty	L
-	8900005000	Water separator, European version (3/4 in. BSP)	1	
-	8900005001	Water separator (3/4 in. NPT)	1	

**Accessories** Lubricator

## Metric

Hose connection (mm)	Air flow (l/s)	Oil volume (l)	Weight (kg)	Part number
25	15-140	1.3	3	8900 0050 02

## Imperial

Hose connection (in.)	Air flow (foot <sup>3</sup> /min)	Oil volume (US gallon)	Weight (lb)	Part number
1	32-300	0.34	6.6	8900 0050 07



Item	Part No.	Name	Qty	L
1	8900005002	Lubricator 1300 (1 in. BSP)	1	
2	8900005007	Lubricator 43 (1 in. NPT)	1	

**Accessories** CP airolene plus tool oil



Item	Part No.	Name	Qty	L
-	8099020249	CP airolene plus tool oil 5 L 1.32 gallon	1	
-	8099020251	CP airolene plus tool oil 4 x 5 L 4 x 1.32 gallon	1	



**Chicago  
Pneumatic**

**2015-01 | No. 9800 0533 01 b**

© Copyright Construction Tools PC AB